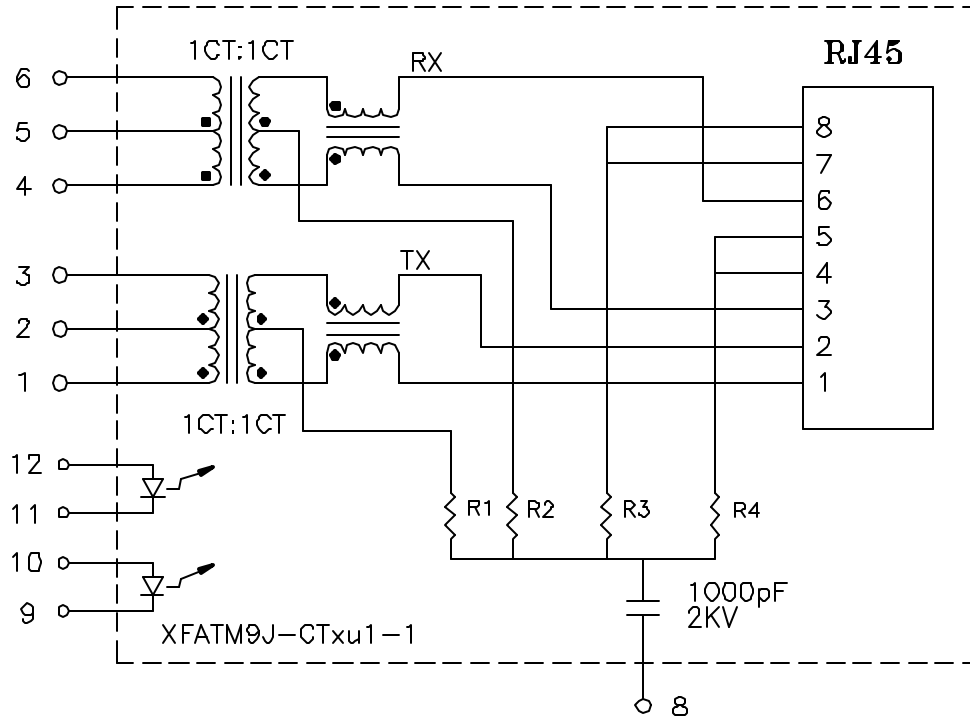


Schematic:



R1,R2,R3,R4: 75 OHMS

Electrical Specifications: @25°C

Isolation Voltage: 1500 Vrms (Input to Output)

Isolation Voltage: 500 Vrms (P1+2+3 to P4+5+6)

Turns Ratio: TX 1CT:1CT $\pm 3\%$ RX 1CT:1CT $\pm 3\%$

CABLE SIDE OCL: 350uH Minimum @100KHz 100mV 8mADC

Cw/w: 27pF Typical @100KHz 100mV

Insertion Loss (300KHz-100MHz): -1.0dB Minimum

Return Loss: @30MHz -18dB Minimum

@80MHz -12dB Minimum

Notes

- 1 Solderability: Leads shall meet MIL-STD-202, Method 208D for solderability.
- 2 Flammability: UL94V-0
- 3 ASTM oxygen index: > 28%
- 4 Insulation System Class F 155°C UL file E151558
- 5 Operating Temperature Range: All listed parameters are to be within tolerance from 0°C to +70°C
- 6 Storage Temperature Range: -55°C to +125°C
- 7 Aqueous wash compatible
- 8 Terminal Plating: 30u of Gold over 40u of Nickel

Complete the Combo P/N as follows:

Replace 'x' & 'u' in the part number with one of the LED color letters:

Y=Yellow

G=Green

A=Amber

R=Red

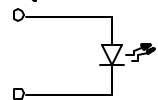
N=Yellow(1)/Green(2) Bicolor

M=Green(1)/Yellow(2) Bicolor

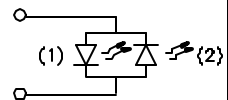
'x' = Left LED Color

'u' = Right LED Color

Single Color LED:



Bi-Color LED:



XFMRs Inc.

Title:

SINGLE PORT COMBO TAB UP

UNLESS OTHERWISE SPECIFIED

P/N: XFATM9J-CTxu1-1

REV. A

TOLERANCES:

.xxx ± 0.010

DWN.

廖玉坤

Oct-17-03

Dimensions in Inch

CHK.

李清IL

Oct-17-03

DOC. REV: A/1

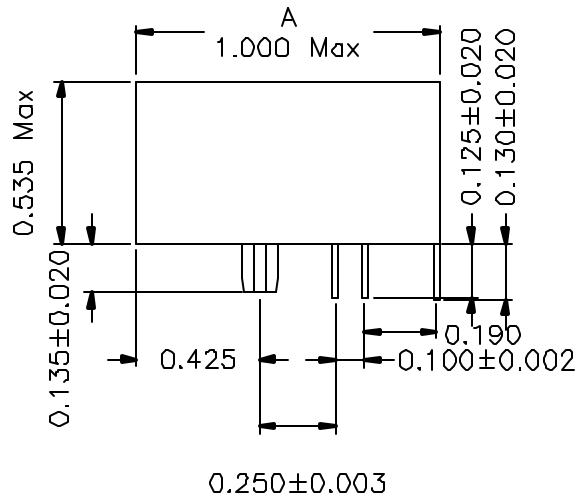
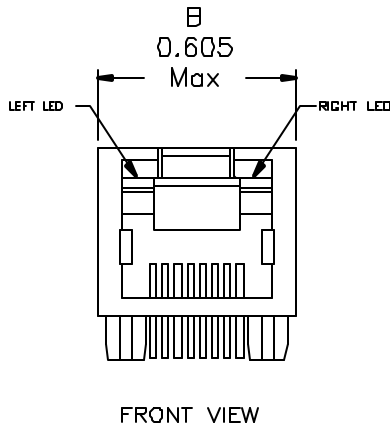
SHEET 1 OF 2

APP.

MS

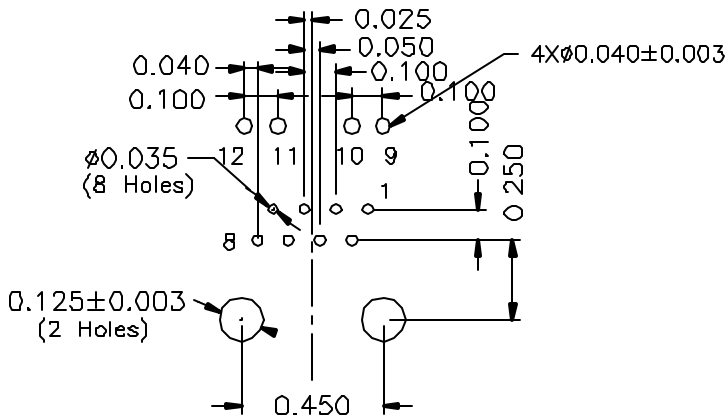
Oct-17-03

Mechanical Dimensions:

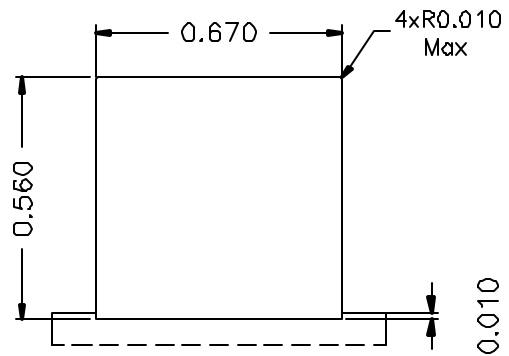


XFMR5
XFATM9J-
CTxu1-1
YYWW

Mounting Pattern:



FACE VIEW



RECOMMENDED PANEL CUTOUT

DOC. REV A/1

XFMR5 Inc.		Title: Mechanical Dimensions For TAB UB RJ45 COMBO	
UNLESS OTHERWISE SPECIFIED TOLERANCES: .xxx ±0.010 Dimensions in Inch	P/N: XFATM9J-CTxu1-1		REV A
	DWN.	李小锋	Oct-17-03
	CHK.	廖玉坤	Oct-17-03
	APP.	MS	Oct-17-03
SHEET 2 OF 2			